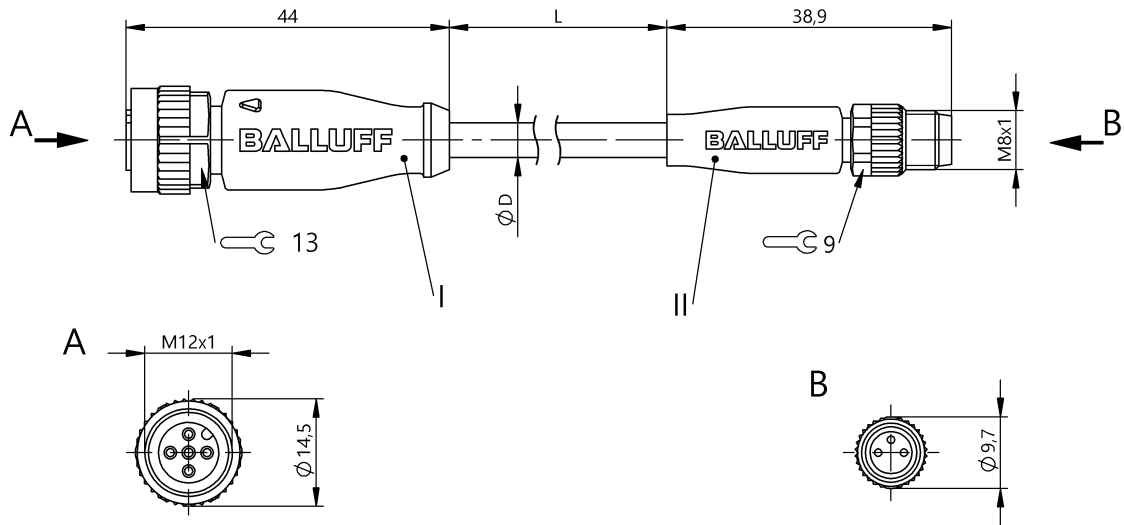


Double-Ended Cordsets
BCC M415-M313-3F-603-VX43T2-010
Order Code: BCC05K5

BALLUFF



Basic features

Approval/Conformity	CE cULus WEEE
---------------------	---------------------

Display/Operation

Function indicator (Pin 4)	LED yellow
Power indicator	LED green/no

Electrical connection

Cable	PVC Yellow, 1 m
Cable diameter D	4.70 mm ±0.13 mm
Conductor cross-section	22 AWG
Connection 1	M12x1-Female, straight, 5-pin, A-coded
Connection 2	M8x1-Male, straight, 3-pin, A-coded
Number of conductors	3
System	Molded/Molded

Electrical data

Cable rated voltage AC max.	300 V
Cable rated voltage DC max.	300 V
Operating voltage Ub	30 VDC
Rated current (40 °C)	4.0 A

Remarks

Bulk cable approval per UL-AWM Style 2661 & CSA AWM I/II A/B
 Enclosure rating per IEC 60529 or 20653, only in screwed state with the associated mating piece.

Environmental conditions

Cable temperature, fixed routing	-40...105 °C
Cable temperature, flexible routing	-5...105 °C
IP rating	IP67, IP68, IP69K/IP67, IP69K

Interface

Switching output	NPN normally open (NO)
------------------	------------------------

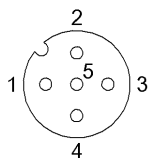
Material

Cable jacket, material	PVC
Material contact carrier	PUR/PUR
Material contacts	Bronze/Brass
Material cover nut	Die-cast zinc/Die-cast zinc or nickel plated brass
Material grip	PUR/PUR

Mechanical data

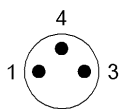
Cable jacket, color	Yellow
Cable length L	1.00 m
Horizontal travel permitted, drag chain	5 m
Tightening torque pigtail	0.6 Nm/0.4 Nm
Traverse speed max., drag chain	200 m/min
Vertical travel permitted, drag chain	2 m at 5 m/s ²

Connector Drawings



I

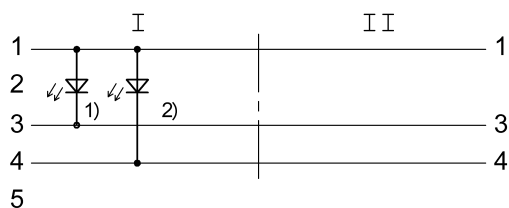
PIN 1: brown
PIN 2: not used
PIN 3: blue
PIN 4: black
PIN 5: not used



II

PIN 1: brown
PIN 3: blue
PIN 4: black

Wiring Diagrams



1) Green LED = Power
2) Yellow LED = Function